

INSD012IRHEM

12 MP H265 360 Degree Network Hemispheric IR Camera W/SD Slot

- 1/1.7" 12 Megapixel progressive scan CMOS
- Multiple dewarped Mode
- H.265+ / H.264+ triple-stream encoding
- 2/2 Alarm in/out, 1/1 audio in/out
- People counting in multiple areas, heat map and track map
- Micro SD card up to 256GB

Unify your Security Solution

People Counting function works with deep learning algorithms. This new function can analyze and detect human bodies and also tracking objects in real-time. This advanced feature provides statistics from the entrance and exit of subjects and has an accuracy of 95%.

Smart H.265+ & H.264+

STORM smart encoding technology can provide high-quality video with higher efficiency and can also reduce the cost of storage space and transmission adopting an advanced algorithm of auto stream control.

On-board Analytics

This camera responds accurately to specific events in a given area. Our algorithm enables Tripwire violations, intrusion detection, abandoned/missing objects and much more. Facilitate your viewing experience using on the edge analytics – one product, multiple features.

LiteAI
Edge Analytics



*Design and specifications are subjects to change without notice.



INSD012IRHEM

12 MP H265 360 Degree Network
Hemispheric IR Camera W/SD Slot

Product Specifications

Camera				
Image Sensor	1/1.7" 12 Megapixel progressive scan CMOS			
Effective Pixels	4000 (H) × 3000 (V)			
RAM/ROM	4GB / 2GB			
Scanning System	Progressive			
Electronic Shutter Speed	Auto/Manual 1/3 s–1/100,000 s			
Minimum Illumination	0.01 Lux at F2.0 (Color, 30 IRE); 0.001 Lux at F2.0 (B/W, 30 IRE) 0 Lux (Illuminator on)			
S/N Ratio	More than 56 dB			
IR Distance	10m(33ft)			
IR LEDs	3			
Camera Features				
Day/Night	Auto(ICR) / Color / B/W			
Backlight Compensation	BLC / HLC / DWDR			
White Balance	Auto / Natural / street lamp / Outdoor / Manual / Regional Custom			
Gain Control	Auto			
Noise Reduction	3D DNR			
Smart Illumination	Supported			
Region of Interest	Yes (4 areas)			
Privacy Masking	4 areas			
Lens				
Lens Type	Fixed Lens			
Mount Type	M12			
Focal Length	1.85 mm			
Max. Aperture	F2.0			
Viewing Angle	Horizontal: 185.0° Vertical: 180.0°			
DORI Distance	Detect	Observe	Recognize	Identify
	40.0 m (131.23 ft)	16.0 m (52.49 ft)	8.0 m (26.2 ft)	4.0 m (13.12 ft)
Video				
Compression	H.265+, H.264+, H.265, H.264, MJPEG (only supported by the sub stream)			
Resolution	5M (2592 × 1944); 3M (2048 × 1536); UXGA (1600 × 1200); 1.3M (1280 × 960); 720p (1280 × 720); D1 (704 × 576/704 × 480); VGA (640 × 480); CIF (352 × 288/352 × 240)			
Frame Rate	Main Stream: 2592 × 1944 at 1–25/30 fps			
	Sub stream: 704 × 576 at 1–25 fps		Third stream: 1280 × 720 at 1–25/30 fps	
Bit Rate	H.264: 3 kbps – 8192 kbps H.265: 3 kbps – 8192 kbps			

*Design and specifications are subjects to change without notice.



INSD012IRHEM

12 MP H265 360 Degree Network Hemispheric IR Camera W/SD Slot

Product Specifications

Lite AI	
People Counting	Supports people counting in area, and displaying and outputting yearly/monthly/daily reports (matching devices are needed); support people counting in 4 areas
Intelligent Search	Work together with Smart NVR to perform refine intelligent search, event extraction and merging to event videos.
Smart Features	Area protector, Intrusion, Tripwire
Heat Map	Yes
Audio	
Audio Compression	PCM; G.711a; G.711Mu; G726
Audio I/O	1/1 RCA ports; Built-in microphone
Alarm	
Alarm Event	No SD card; SD card full; SD card error; network disconnection; IP conflict; illegal access; motion detection; video tampering; tripwire; intrusion; scene changing; audio detection; voltage detection; external alarm; people counting in area; stay alarm; people counting; people No. exception detection; safety exception
Alarm I/O	2 channel in: 5mA 3V-5 VDC 2 channels out: 1,000mA 30 VDC/500mA 50 VDC
Network	
Cyber Security	Video encryption; firmware encryption; configuration encryption; Digest; WSSE; account lockout; security logs; IP/MAC filtering; generation and importing of X.509 certification; syslog; HTTPS; 802.1x; trusted boot; trusted execution; trusted upgrade
Storage	NAS; SFTP; FTP; Micro SD Card up to 256 GB
Management Software	STORM, STORM+, ARKIV
Protocol	IPv4; IPv6; HTTP; TCP; UDP; ARP; RTP; RTSP; RTCP; RTMP; SMTP; FTP; SFTP; DHCP; DNS; DDNS; QoS; UPnP; NTP; Multicast; ICMP; IGMP; NFS; PPPoE; SNMP
Compatibility	ONVIF (Profile S/Profile G/Profile T); CGI; Milestone; Genetec; P2P
Maximum User Access	20
General	
Power Supply	12V DC / PoE+
Power Consumption	Basic: 6.5 W (12 VDC); 6.1 W (PoE) Max. (ICR + IR intensity): 13 W (12 VDC); 13.9 W (PoE) Heating: 3 W (12 VDC); 3 W (PoE)
Working Environment	-40 °C to +60 °C (-40 °F to +140 °F); Less than 95% RH
Dimensions	59.8 mm × Φ149.8 mm (2.35" × Φ5.90")
Weight	0.79 kg (1.74 lb)

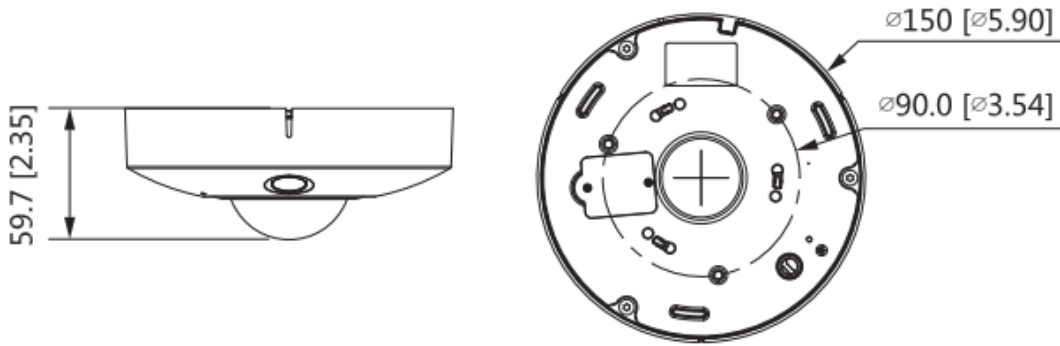
*Design and specifications are subjects to change without notice.



INSD012IRHEM

12 MP H265 360 Degree Network Hemispheric IR Camera W/SD Slot

Product Specifications



**INSX100
Mount Adapter**



**INSX300
Ceiling Mount**




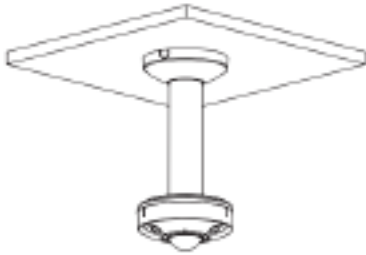

**INSX132
Junction Box**



**INSX302
Wall Mount**



**VUSD256G
Micro SD Card**

Junction Box	Ceiling Mount	Wall Mount
INSX132	INSX300C + INSX100	INSX302 + INSX100
		

*Design and specifications are subjects to change without notice.

